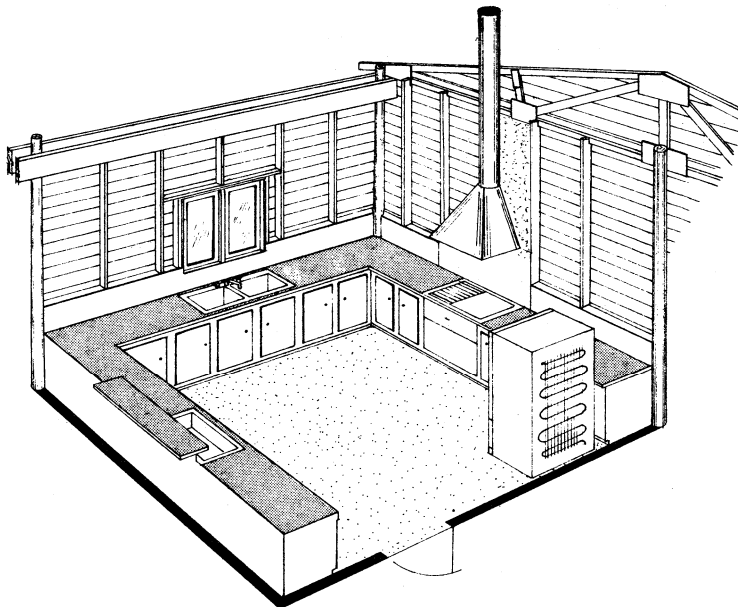


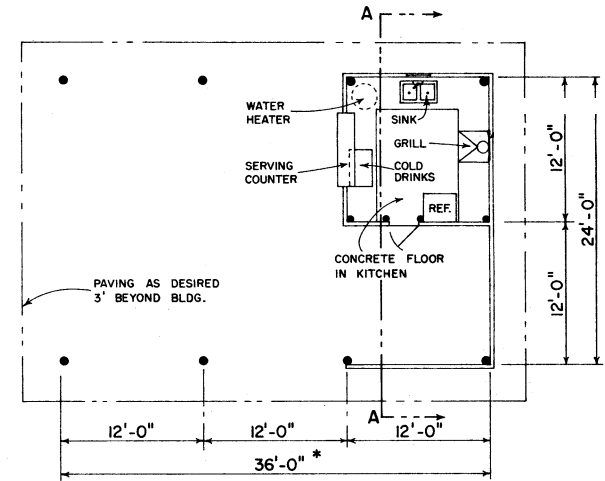
PERSPECTIVE



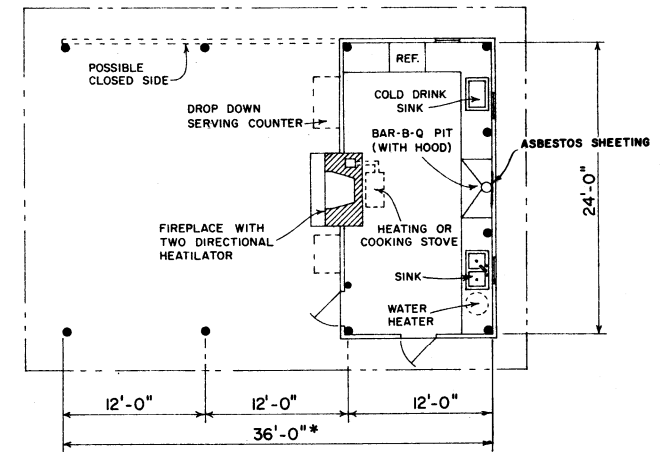
KITCHEN - CUTAWAY VIEW

NOTE:

1. ALL WOODEN MEMBERS IN CONTACT WITH GROUND SHALL BE PRESERVATIVE PRESSURE TREATED (P.P.T.)
2. SIDEWALL CONSTRUCTION DETAILS FOR HORIZONTAL SIDING ARE SHOWN, FOR VERTICAL SIDING USE TYPICAL POLE BUILDING SIDEWALL CONSTRUCTION.
3. PROVISIONS SHOULD BE MADE FOR SHUTTING OFF WATER AND DRAINING ALL LINES IN PAVILION.



FLOOR PLAN

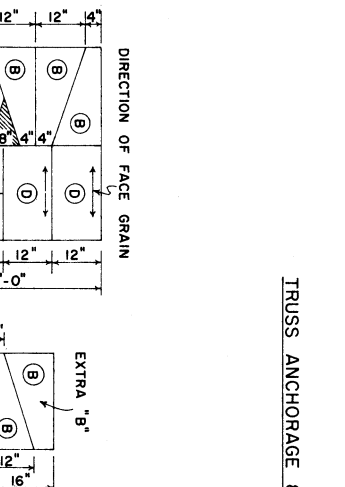
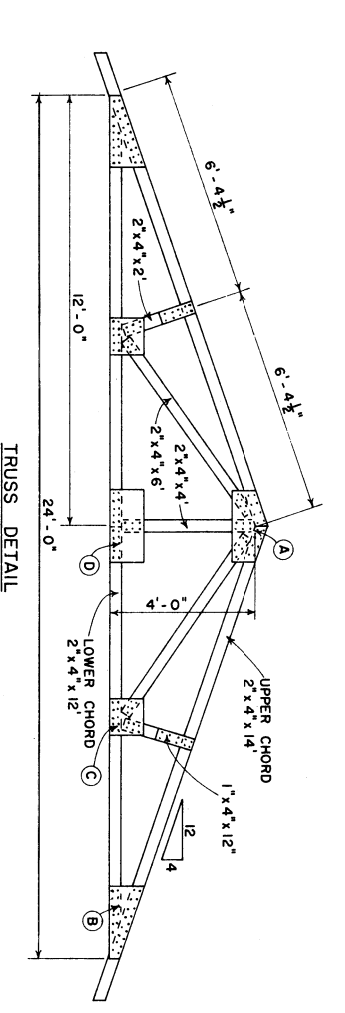
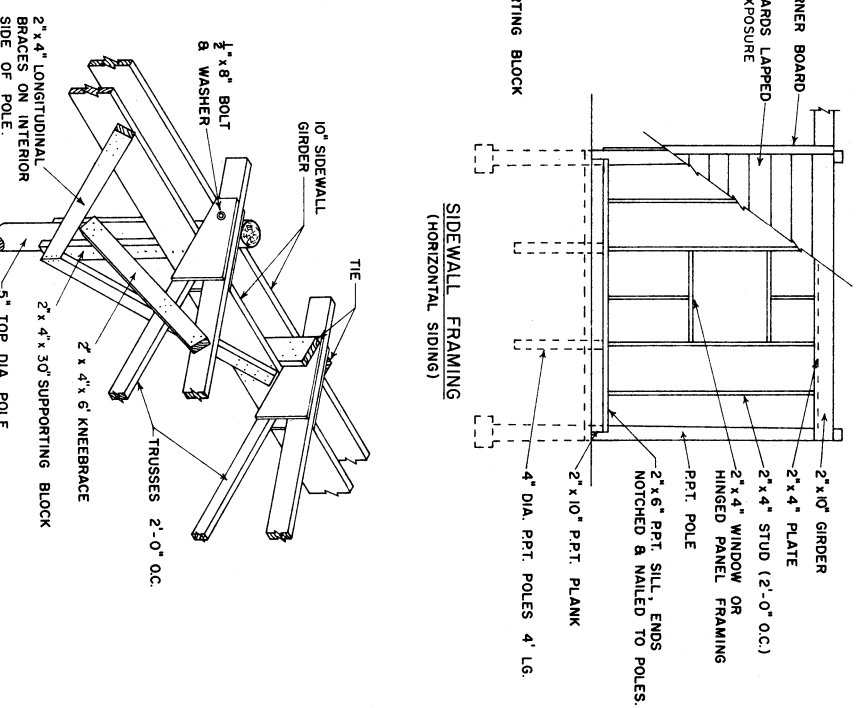
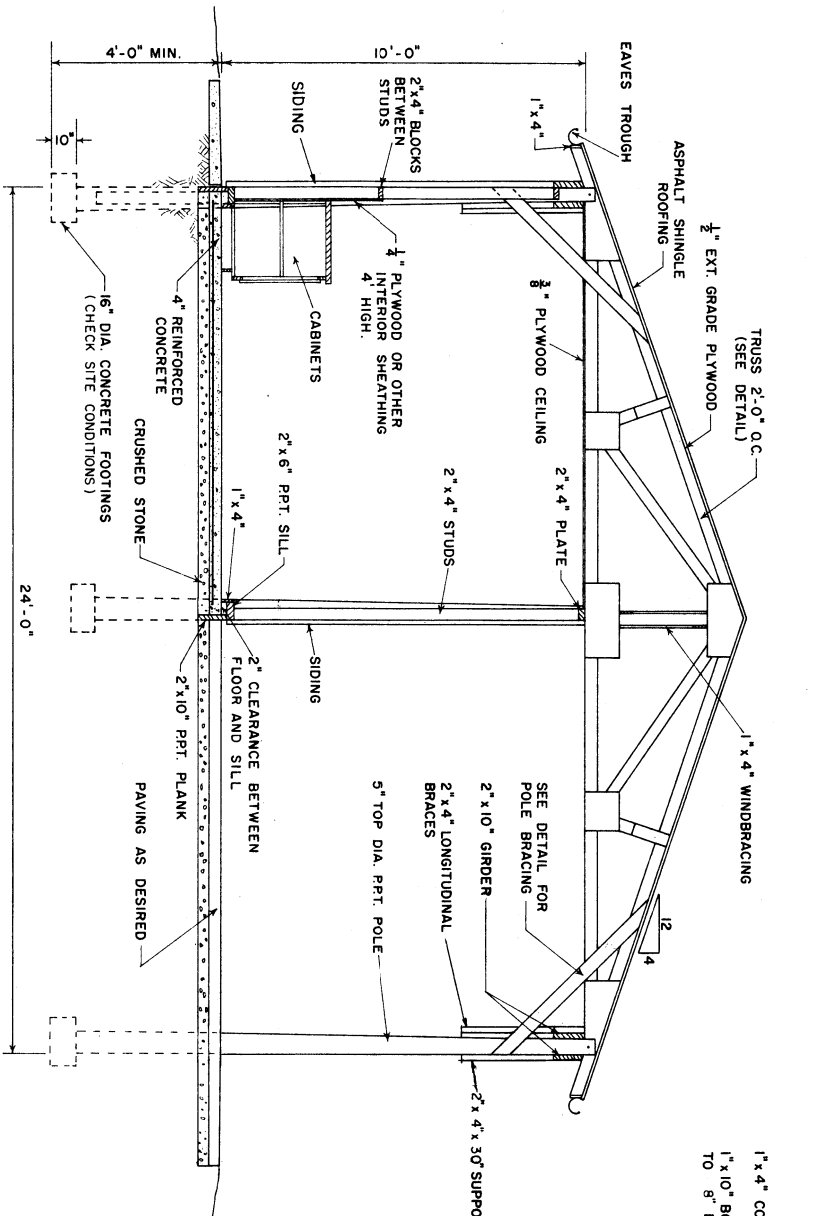


ALTERNATE FLOOR PLAN

DESIGNED BY:
 H. R. DAVIS
 E. W. FOSS
 W. W. IRISH
 CORNELL UNIV. PLAN NO. 830

COOPERATIVE EXTENSION WORK IN AGRICULTURE AND HOME ECONOMICS		
STATE OF TENNESSEE		
UNIVERSITY OF TENNESSEE		
AND UNITED STATES DEPARTMENT OF AGRICULTURE COOPERATING		
PAVILION WITH KITCHEN		
N.Y.	'69	6079
		SHEET 1 OF 2

* LENGTH OF BLDG. MAY BE EXTENDED IN 12' UNITS.



NOTE:

1. ALL GUSSET PLATES ARE GLUED & NAILED ON BOTH SIDES OF TRUSS. USE RESORCINOL GLUE & 6d BOX NAILS.
2. TRUSS DESIGNED FOR LOADS OF 30 PS.F. AT 2'-0" O.C.
3. ALL LUMBER SHALL BE STRESS GRADED TO PROVIDE 1500 PSI. IN COMPRESSION & 1350 PSI. IN COMPRESSION.

GUSSET PLATES - CUTTING DIAGRAM
 3/8" EXTERIOR, DOUGLAS FIR PLYWOOD